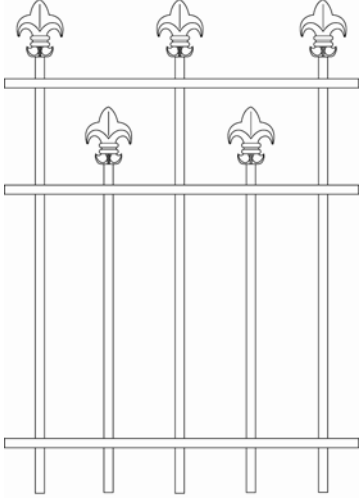
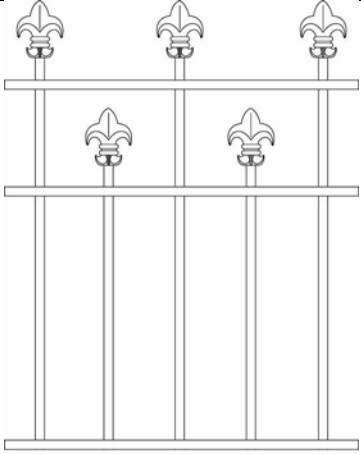
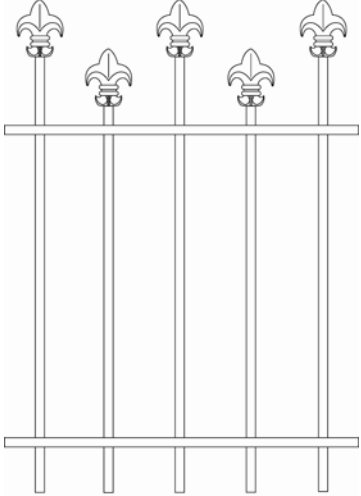
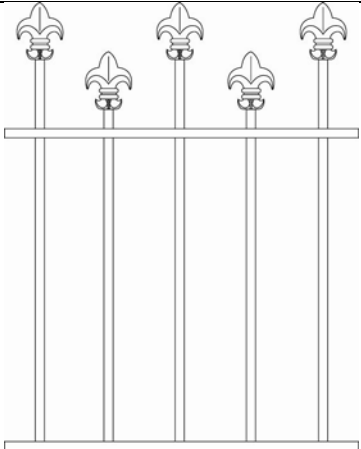


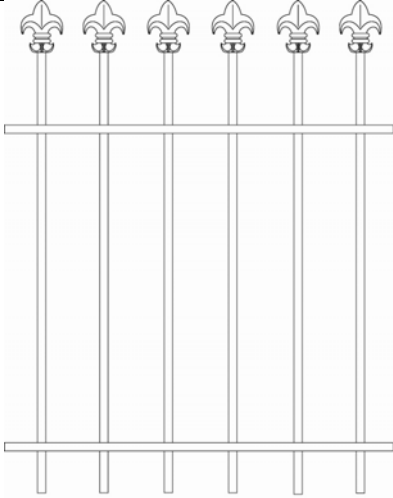
TUBULAR FENCE & GATE STANDARDS

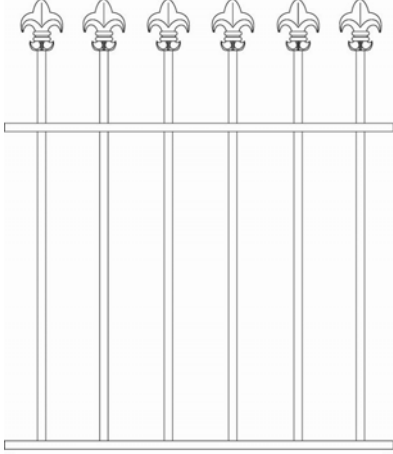
DULWICH (FACE WELD)		
	Distance between top rails FDL Spear Melrose Spear Cardinal Spear	220mm 290mm 225mm
	Distance from top of rail to top of spear; FDL Spear Melrose Spear Cardinal Spear	130mm 200mm 135mm
	Distance between bottom rail and bottom of upright	30mm
	Uprights	19mm Round
	Rails	30mm Square
	Centres	110mm
	Single Gate Frames	30mm Square 40mm Square (With Lokk Latch Deluxe)
	Double Gate Frame	40mm Square
	Sliding Gate Frame	40mm Square, 80x40mm bottom Rail

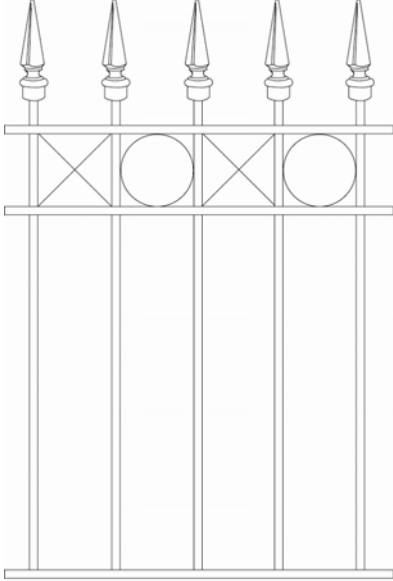
DULWICH (DRILL THRU)		
	Distance between top rails FDL Spear Melrose Spear Cardinal Spear	220mm 290mm 225mm
	Distance from top of rail to top of spear; FDL Spear Melrose Spear Cardinal Spear	130mm 200mm 135mm
	Uprights	19mm Round
	Rails	30mm Square
	Centres	110mm
	Distance between bottom rail and bottom of upright	Uprights flush with bottom rail
	Single Gate Frames	30mm Square 40mm Square (With Lokk Latch Deluxe)
	Double Gate Frame	40mm Square
	Sliding Gate Frame	40mm Square, 80x40mm Bottom Rail


HI-LO SPEAR (FACE WELD)		
	Distance from top of rail to top of high spear;	
	FDL Spear	180mm
	Melrose Spear	220mm
	Cardinal Spear	185mm
	Distance from top of rail to top of Low spear;	
	FDL Spear	130mm
	Melrose Spear	170mm
Cardinal Spear	135mm	
Distance between bottom rail and bottom of upright		30mm
Uprights		19mm Round
Rails		30mm Square
Centres		110mm
	Single Gate Frames	30mm Square 40mm Square (With Lokk Latch Deluxe)
	Double Gate Frame	40mm Square
	Sliding Gate Frame	40mm Square, 80x40mm Bottom Rail

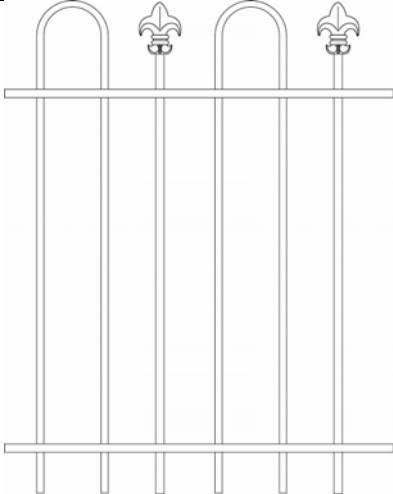
HI-LO SPEAR (DRILL THRU)		
	Distance from top of rail to top of high spear;	
	FDL Spear	180mm
	Melrose Spear	220mm
	Cardinal Spear	185mm
	Distance from top of rail to top of Low spear;	
	FDL Spear	130mm
	Melrose Spear	170mm
Cardinal Spear	135mm	
Distance between bottom rail and bottom of upright		Uprights flush with bottom rail
Uprights		19mm Round
Rails		30mm Square
Centres		110mm
	Single Gate Frames	30mm Square 40mm Square (With Lokk Latch Deluxe)
	Double Gate Frame	40mm Square
	Sliding Gate Frame	40mm Square, 80x40mm Bottom Rail

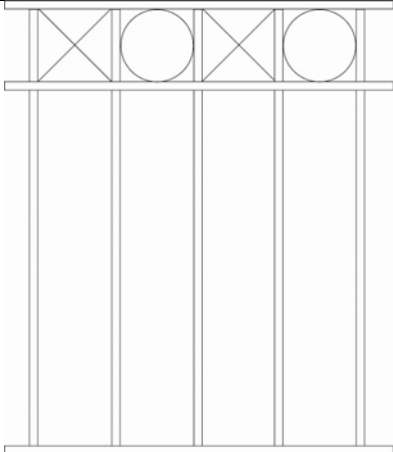
LEVEL SPEAR TOP (FACE WELD)		
	Distance from top of rail to top of spear;	FDL Spear 130mm Melrose Spear 200mm Cardinal Spear 135mm
	Distance between bottom rail and bottom of upright	30mm
	Uprights	19mm Round
	Rails	30mm Square
	Centres	110mm
	Single Gate Frames	30mm Square 40mm Square (With Lokk Latch Deluxe)
	Double Gate Frame	40mm Square
	Sliding Gate Frame	40mm Square, 80x40mm Bottom Rail

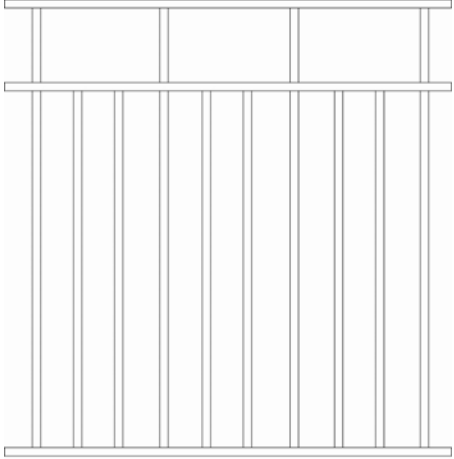
LEVEL SPEAR TOP (DRILL THRU)		
	Distance from top of rail to top of spear;	FDL Spear 130mm Melrose Spear 200mm Cardinal Spear 135mm
	Distance between bottom rail and bottom of upright	Uprights flush with bottom rail
	Uprights	19mm Round
	Rails	30mm Square
	Centres	110mm
	Single Gate Frames	30mm Square 40mm Square (With Lokk Latch Deluxe)
	Double Gate Frame	40mm Square
	Sliding Gate Frame	40mm Square, 80x40mm Bottom Rail

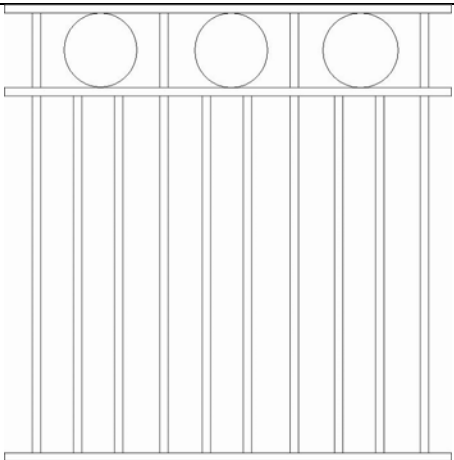
GRAND XOX, XXX OR OOO (DRILL THRU)		
	Distance between top rails	90mm
	Distance from top of rail to top of spear; FDL Spear Melrose Spear Cardinal Spear	130mm 200mm 135mm
	Uprights	19mm Round
	Rails	30mm Square
	Centres	110mm
	Distance between bottom rail and bottom of upright	Uprights flush with bottom rail
	Standard Circle Type	90mm Diameter x 8mm (Solid Rings)
Standard Cross Type	90mm	
Single Gate Frames	30mm Square 40mm Square (With Lokk Latch Deluxe)	
Double Gate Frame	40mm Square	
Sliding Gate Frame	40mm Square, 80x40mm Bottom Rail	

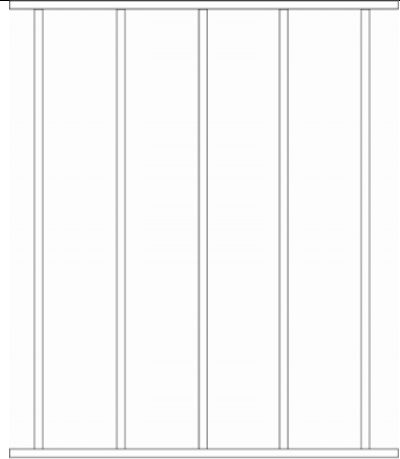
LOOP (FACE WELD)		
	Distance from top of rail to top of Loop:	100mm
	Uprights	19mm Round
	Rails	30mm Square
	Centres	110mm
	Distance between bottom rail and bottom of upright	30mm
Single Gate Frames	30mm Square 40mm Square (With Lokk Latch Deluxe)	
Double Gate Frame	40mm Square	
Sliding Gate Frame	40mm Square, 80x40mm Bottom Rail	

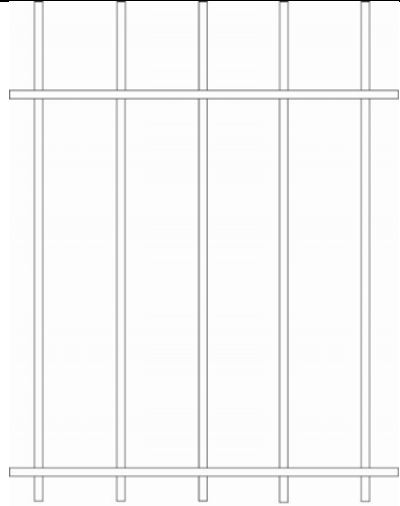
LOOP-SPEAR (FACE WELD)		
	Distance from top of rail to top of Loop/Spear: FDL Spear Melrose Spear	120mm 150mm
	Uprights	19mm Round
	Rails	30mm Square
	Centres	110mm
	Distance between bottom rail and bottom of upright	30mm
	Single Gate Frames	30mm Square 40mm Square (With Lokk Latch Deluxe)
	Double Gate Frame	40mm Square
	Sliding Gate Frame	40mm Square, 80x40mm Bottom Rail

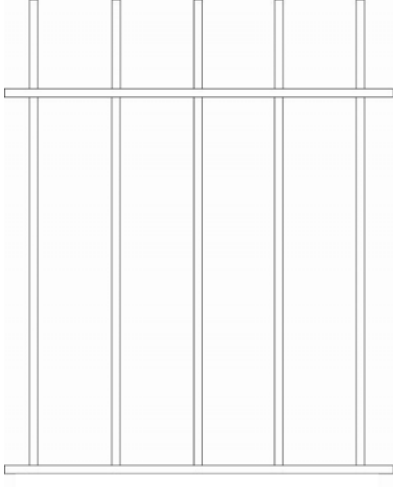
REGENT XOX, XXX OR OOO (DRILL THRU)		
	Distance between top rails	90mm
	Uprights	19mm Round
	Rails	30mm Square
	Centres	110mm
	Distance between bottom rail and bottom of upright	Uprights flush with bottom rail
	Standard Circle Type	90mm Diameter x 8mm (Solid Rings)
	Standard Cross Type	90mm
	Single Gate Frames	30mm Square 40mm Square (With Lokk Latch Deluxe) Mitre Frame
	Double Gate Frame	40mm Square Mitre Frame
	Sliding Gate Frame	40mm Square, 80x40mm Bottom Rail Mitre Frame

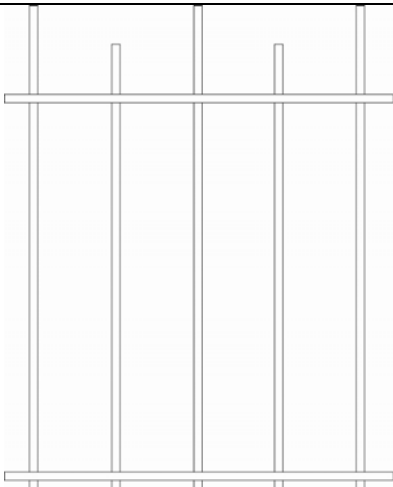
CUSTOM NEAT (DRILL THRU)		
	Distance between top rails	90mm
	Uprights	19mm Round
	Rails	30mm Square
	Centres	110mm
	Distance between bottom rail and bottom of upright	Uprights flush with bottom rail
	Single Gate Frames	30mm Square 40mm Square (With Lokk Latch Deluxe) Mitre Frame
	Double Gate Frame	40mm Square Mitre Frame
	Sliding Gate Frame	40mm Square, 80x40mm Bottom Rail Mitre Frame

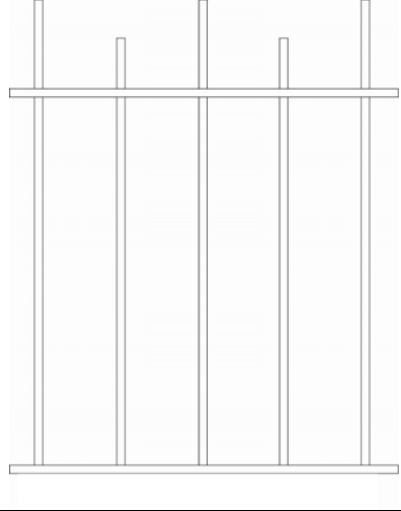
CUSTOM NEAT WITH CIRCLES (DRILL THRU)		
	Distance between top rails	90mm
	Uprights	19mm Round
	Rails	30mm Square
	Centres	110mm
	Distance between bottom rail and bottom of upright	Uprights flush with bottom rail
	Standard Circle Type	90mm Diameter x 8mm (Solid Rings)
	Single Gate Frames	30mm Square 40mm Square (With Lokk Latch Deluxe) Mitre Frame
	Double Gate Frame	40mm Square Mitre Frame
	Sliding Gate Frame	40mm Square, 80x40mm Bottom Rail Mitre Frame

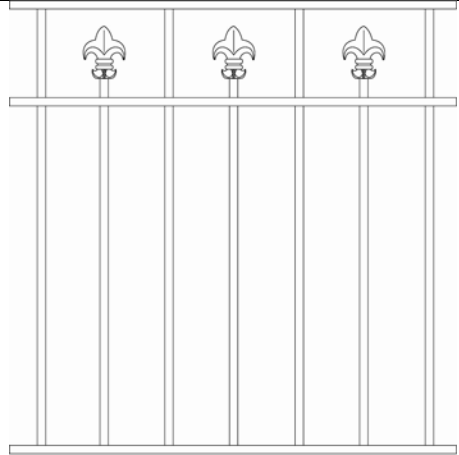
NEAT (DRILL THRU)		
	Uprights	19mm Round
	Rails	30mm Square
	Centres	110mm
	Distance between bottom rail and bottom of upright	Uprights flush with bottom rail
	Single Gate Frames	30mm Square 40mm Square (With Lokk Latch Deluxe) Mitre Frame
	Double Gate Frame	40mm Square Mitre Frame
	Sliding Gate Frame	40mm Square, 80x40mm Bottom Rail Mitre Frame

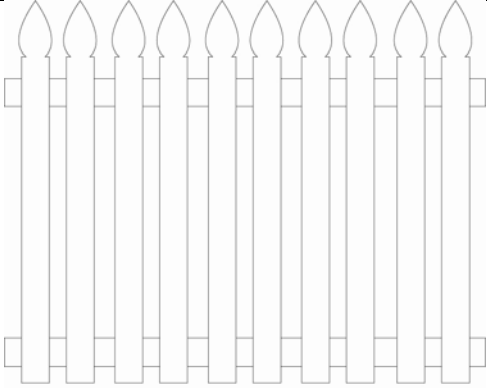
LEVEL ROD TOP (FACE WELD)		
	Distance from top of rail to top of Rod	100mm
	Distance between bottom rail and bottom of upright	30mm
	Uprights	19mm Round
	Rails	30mm Square
	Centres	110mm
	Single Gate Frames	30mm Square 40mm Square (With Lokk Latch Deluxe)
	Double Gate Frame	40mm Square
	Sliding Gate Frame	40mm Square, 80x40mm Bottom Rail

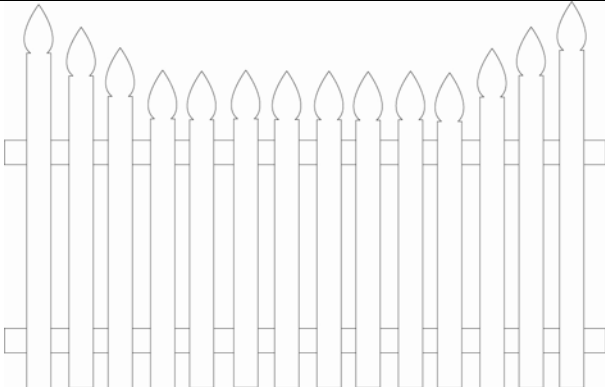
LEVEL ROD TOP (DRILL THRU)		
	Distance from top of rail to top of Rod	100mm
	Distance between bottom rail and bottom of upright	Uprights flush with bottom rail
	Uprights	19mm Round
	Rails	30mm Square
	Centres	110mm
	Single Gate Frames	30mm Square 40mm Square (With Lokk Latch Deluxe)
	Double Gate Frame	40mm Square
Sliding Gate Frame	40mm Square, 80x40mm Bottom Rail	

HI-LO ROD TOP (FACE WELD)		
	Distance from top of rail to top of Hi Rod	100mm
	Distance from top of rail to top of Low Rod	50mm
	Distance between bottom rail and bottom of upright	30mm
	Uprights	19mm Round
	Rails	30mm Square
	Centres	110mm
	Single Gate Frames	30mm Square 40mm Square (With Lokk Latch Deluxe)
Double Gate Frame	40mm Square	
Sliding Gate Frame	40mm Square, 80x40mm Bottom Rail	

HI-LO ROD TOP (DRILL THRU)		
	Distance from top of rail to top of Hi Rod	100mm
	Distance from top of rail to top of Low Rod	50mm
	Distance between bottom rail and bottom of upright	Uprights flush with bottom rail
	Uprights	19mm Round
	Rails	30mm Square
	Centres	110mm
	Single Gate Frames	30mm Square 40mm Square (With Lokk Latch Deluxe)
	Double Gate Frame	40mm Square
	Sliding Gate Frame	40mm Square, 80x40mm Bottom Rail

AVON (DRILL THRU)		
	Distance between top rails	
	Uprights	19mm Round
	Rails	30mm Square
	Centres	110mm
	Distance between bottom rail and bottom of upright	Uprights flush with bottom rail
	Single Gate Frames	30mm Square 40mm Square (With Lokk Latch Deluxe)
	Double Gate Frame	40mm Square
	Sliding Gate Frame	40mm Square, 80x40mm Bottom Rail

STEEL PICKET - STANDARD (FACE WELD)		
	Distance from top of rail to top of spear;	100mm
	Distance between bottom rail and bottom of upright	30mm
	Uprights	50x10mm RHS
	Rails	30mm Square
	Gap between Uprights	15mm
	Single Gate Frames	30mm Square 40mm Square (With Lokk Latch Deluxe)
	Double Gate Frame	40mm Square
	Sliding Gate Frame	40mm Square, 80x40mm Bottom Rail

STEEL PICKET - HERITAGE (FACE WELD)		
	Distance from top of rail to top of 1 st high spear	220mm
	Distance from top of rail to top of 2 nd high spear	180mm
	Distance from top of rail to top of 3 rd high spear	140mm
	Distance from top of rail to low spear	100mm
	Distance between bottom rail and bottom of upright	30mm
	Uprights	50x10mm RHS
	Rails	30mm Square
	Gap between Uprights	15mm
	Single Gate Frames	30mm Square 40mm Square (With Lokk Latch Deluxe)
	Double Gate Frame	40mm Square
	Sliding Gate Frame	40mm Square, 80x40mm Bottom Rail