



LIFTMASTER

Sliding Gate Motors



SLY Series

240V SLY300
 SLY500
 SLY1000

24VDC SLY324
 SLY524



Magic Button[®]
Remote



Design

This is a quality Liftmaster product on which you can depend. Built to last, the unit features strong compact mechanical components with permanent lubrication, while the gearbox provides positive locking.

Magic Button[®] logic controls (and transformer for 24VDC units) are conveniently fitted under cover, which negates the need for external control boxes.

The solid die-cast aluminum base is slotted for installation convenience. Specifically designed magnetic limits with rack fitting brackets and drive sprocket allows easy setting of travel.

Usage

A range of 240v and 24v models suitable for residential and light commercial applications. The 24vDC models allow battery back-up and solar power operation in remote locations. Check specification tables.

Manual Release

A lockable release allows disconnection of the motor from the gate during power fail situations.

Controls

The Magic Button[®] logic control boards are **designed and manufactured in Australia** to suit Australian high voltage power sources and comply with Australian electrical standards. Ongoing in-house research and development by Liftmaster allows continuous software improvement.

Magic Button[®] logic control features :

- Pedestrian opening
- Selectable motor force
- Flashing light output
- Safety device inputs
- Soft start & slow down at end of travel
- Output for indication of board status
- Resettable and non-resettable counters
- Speed adjustment

Safety

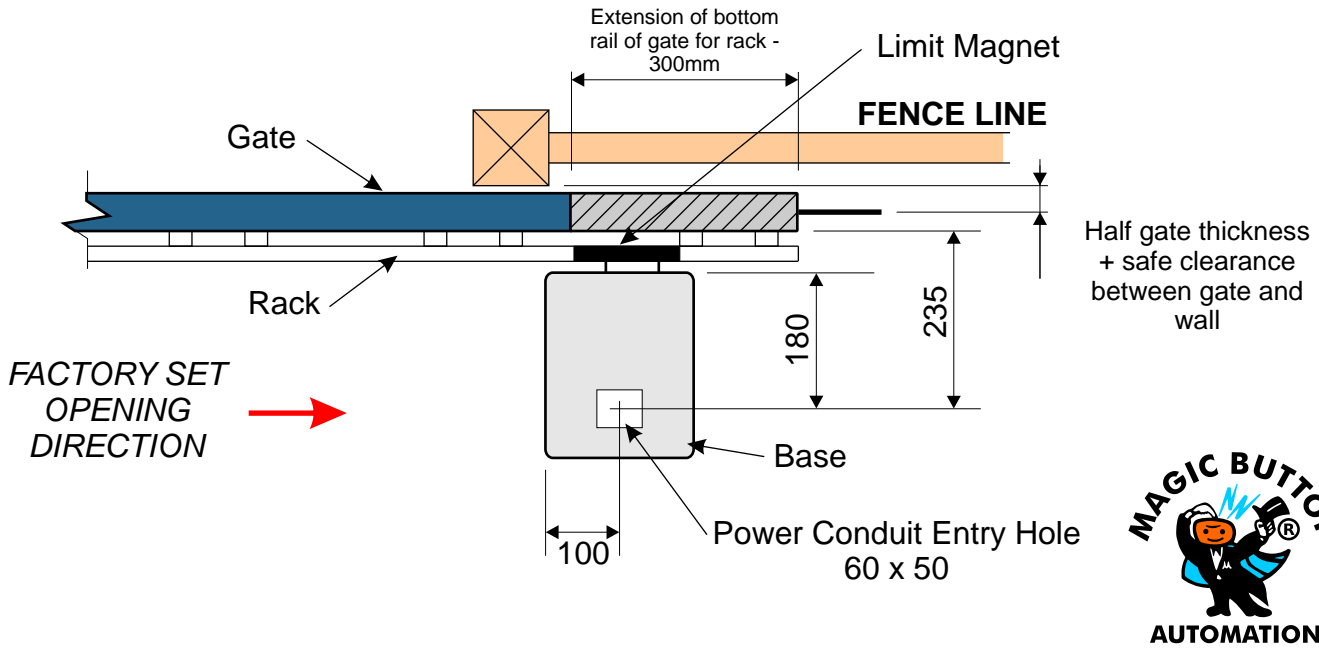
Liftmaster always recommends the use of safety equipment and supplies an extensive range:

- Photo Electric Beam
- Safety Edge
- Photo Electric Curtain
- Vehicle Detector

Warranty

The Liftmaster motor has a 24 month warranty (subject to terms and conditions).

Technical Specifications

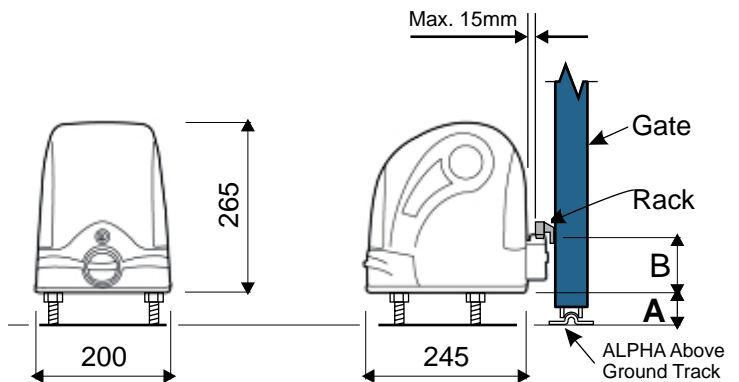


**LIFTMASTER Mod.4
RACK MOUNTING HEIGHT**
with mounting base as recommended in manual
to center of rack mount slot
= A + B

A = Adjustment on mounting base (min. 15mm)

B = from base of motor to centre of rack mount slot

| | |
|-------------------|-----------------|
| 16 Tooth Sprocket | |
| Nylon rack : 60mm | Steel rack 97mm |
| 12 Tooth Sprocket | |
| Nylon rack : 55mm | Steel rack 92mm |



| Technical Data | SLY300 | SLY500 | SLY1000 | SLY324 | SLY524 |
|------------------|-----------|-----------|-----------|----------------------------|----------------------------|
| Max. Gate Weight | 300 | 500 | 1000 | 300* ¹ | 500* ¹ |
| Torque (Nm) | 9 | 10 | 12 | 9 | 10 |
| Travel Speed | 12m / min | 12m / min | 12m / min | ≤ 18m / min * ² | ≤ 18m / min * ² |
| Cycles per Hour | 30 | 30 | 30 | 60 | 80 |
| Voltage In | 240V | 240V | 240V | 240V* ³ | 240V* ³ |
| Power (Watts) | 300 | 360 | 480 | 40 | 60 |

*1 - For 24V models gate must be on level ground.

*2 - Speed is dependent on gate load.

*3 - 240V to transformer which can be mounted away from motor.

QUEENSLAND

Brisbane
(07) 3849 6666

Gold Coast
(07) 5596 4795

VICTORIA

Melbourne
(03) 9467 8555

NSW

Sydney
(02) 9699 9654

Wollongong
(02) 4256 4247

LIFTMASTER ELECTRONICS PTY LTD A.B.N. 58 000 266 035
PO BOX 54 ALEXANDRIA NSW 1435 AUSTRALIA PH: 61 2 9699 9654 FX: 61 2 9699 8443
www.liftmaster.com.au salesdesk@liftmaster.com.au